

C - Line

Technical Data



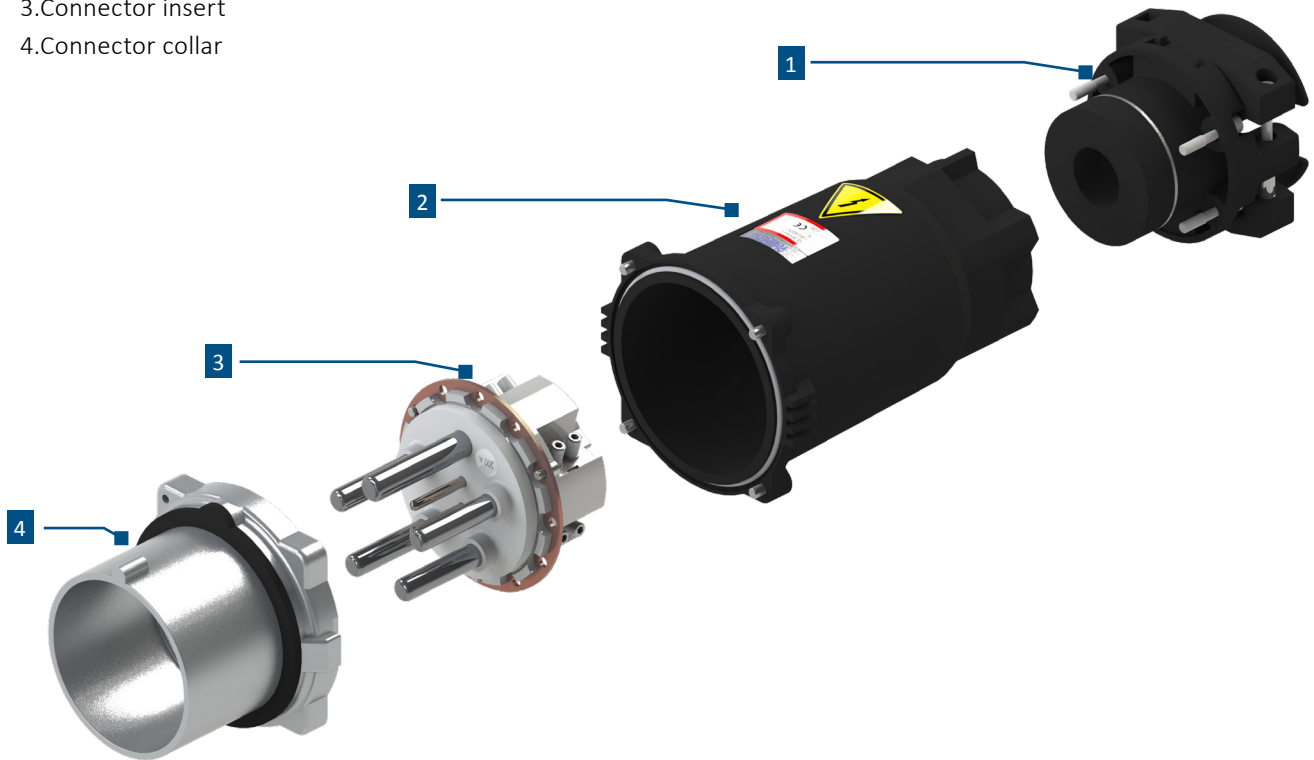
Technical Data	Unit	C - Line	
Nominal current	A	200	250
Rated current	A	250	285
Rated voltage	V	1.000	
Rated frequency	Hz	50 / 60	
Withstand voltage (1 Min / 50 Hz)	V	4.000	
Protection grade		IP 67	
Shock resistance		IK 10	
Ambient temperature	°C	- 40 / + 100	
Insulation resistance (Phase-phase and phase-earth)	MOhm	> 500	
Comparative tracking index of the insert	CTI	> 600	
Terminal cross-section (EN 60228 Class 5)	mm ²	35 - 150	
Max. cross section pilot cable, conductor (EN60228 Class 5)	mm ²	4	
Diameter of cable	mm	34 - 66	
Diameter of cable - separate pilot cable	mm	5 - 10	

Technical modifications reserved

Structure

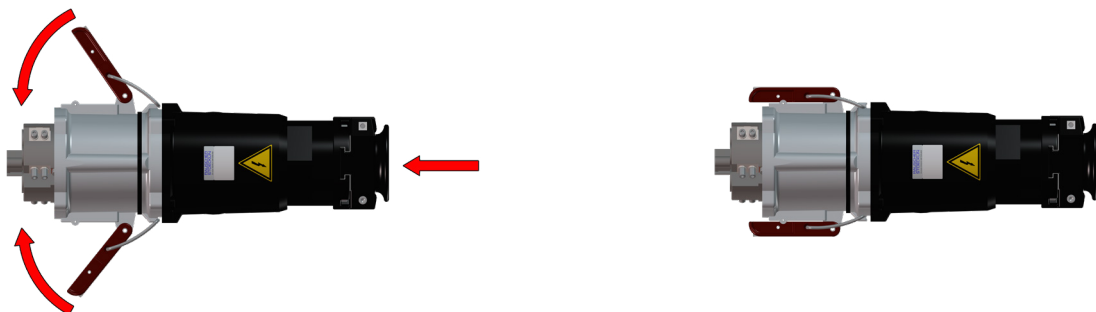
Structure of C-Line connector

- 1.Cable gland
- 2.Plastic housing
- 3.Connector insert
- 4.Connector collar



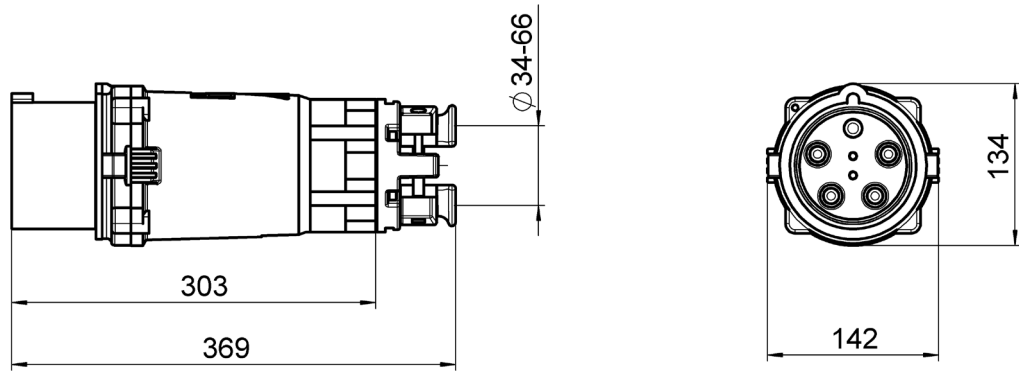
Locking system

Mechanically easy designed locking system, which reduces the force required during plugging and pulling.

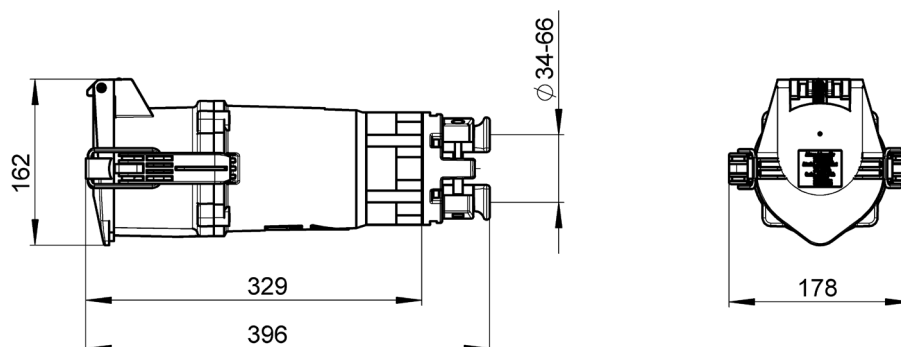


MC

Plug



Current	Number of Poles	Voltage	Type designation	Article No.
200 A	4 (3L+PEN)	230V	MC-S4/200 230V-9h	11430
		400V	MC-S4/200 400V-6h	11431
		500V	MC-S4/200 500V-7h	11432
		690V	MC-S4/200 690V-5h	11433
		1000V	MC-S4/200 1000V-1h	11434
	5 (3L+N+PE)	230V	MC-S5/200 230V-9h	11435
		400V	MC-S5/200 400V-6h	11436
		500V	MC-S5/200 500V-7h	11437
		690V	MC-S5/200 690V-5h	11438
		1000V	MC-S5/200 1000V-1h	11439
250 A	4 (3L+PEN)	230V	MC-S4/250 230V-9h	22080
		400V	MC-S4/250 400V-6h	22081
		500V	MC-S4/250 500V-7h	22082
		690V	MC-S4/250 690V-5h	22083
		1000V	MC-S4/250 1000V-1h	22084
	5 (3L+N+PE)	230V	MC-S5/250 230V-9h	22085
		400V	MC-S5/250 400V-6h	22086
		500V	MC-S5/250 500V-7h	22087
		690V	MC-S5/250 690V-5h	22088
		1000V	MC-S5/250 1000V-1h	22089

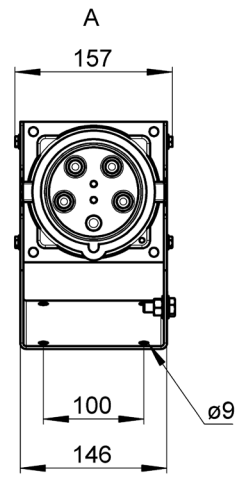
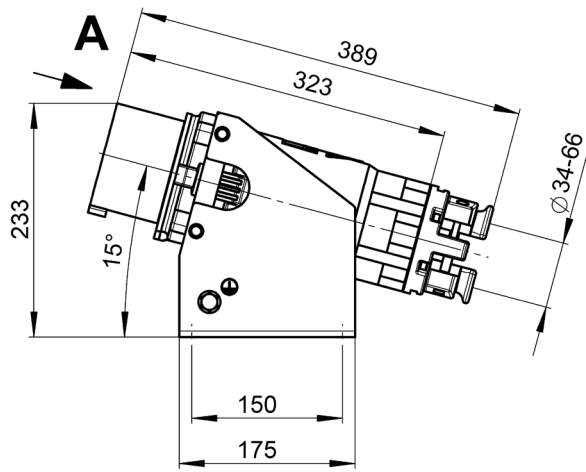
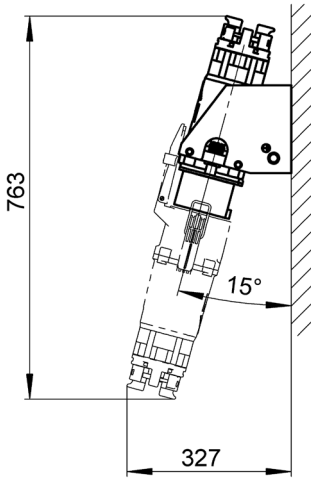


Current	Number of Poles	Voltage	Type designation	Article No.
200 A	4 (3L+PEN)	230V	FC-S4/200 230V-9h	11640
		400V	FC-S4/200 400V-6h	11641
		500V	FC-S4/200 500V-7h	11642
		690V	FC-S4/200 690V-5h	11643
		1000V	FC-S4/200 1000V-1h	11644
	5 (3L+N+PE)	230V	FC-S5/200 230V-9h	11645
		400V	FC-S5/200 400V-6h	11646
		500V	FC-S5/200 500V-7h	11647
		690V	FC-S5/200 690V-5h	11648
		1000V	FC-S5/200 1000V-1h	11649
250 A	4 (3L+PEN)	230V	FC-S4/250 230V-9h	22120
		400V	FC-S4/250 400V-6h	22121
		500V	FC-S4/250 500V-7h	22122
		690V	FC-S4/250 690V-5h	22123
		1000V	FC-S4/250 1000V-1h	22124
	5 (3L+N+PE)	230V	FC-S5/250 230V-9h	22125
		400V	FC-S5/250 400V-6h	22126
		500V	FC-S5/250 500V-7h	22127
		690V	FC-S5/250 690V-5h	22128
		1000V	FC-S5/250 1000V-1h	22129

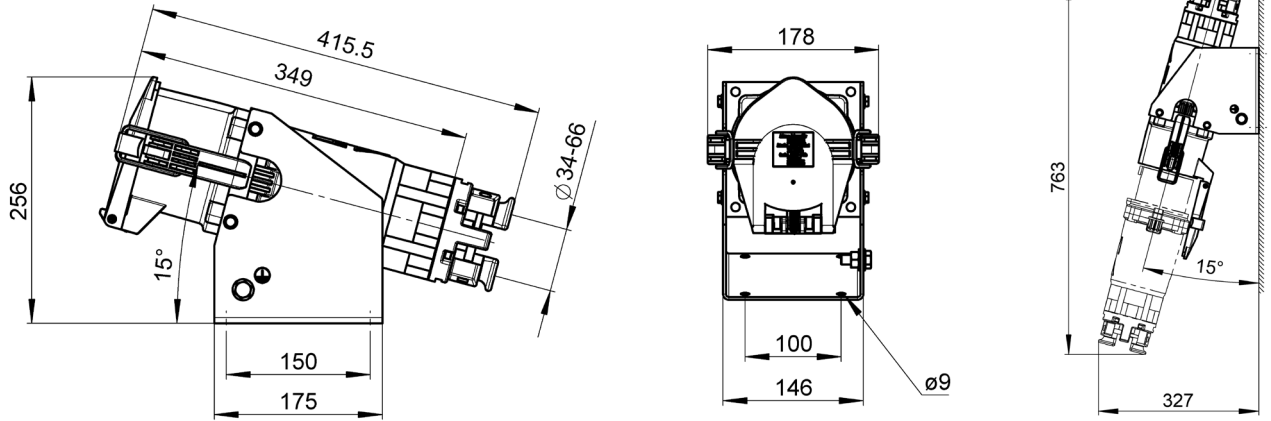


MCW

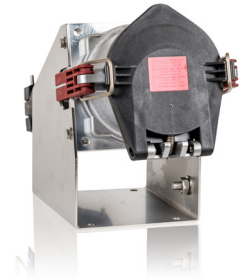
Wall Mounted Inlet



Current	Number of Poles	Voltage	Type designation	Article No.
200 A	4 (3L+PEN)	230V	MCW-S4/200 230V-9h	11700
		400V	MCW-S4/200 400V-6h	11701
		500V	MCW-S4/200 500V-7h	11702
		690V	MCW-S4/200 690V-5h	11703
		1000V	MCW-S4/200 1000V-1h	11704
	5 (3L+N+PE)	230V	MCW-S5/200 230V-9h	11705
		400V	MCW-S5/200 400V-6h	11706
		500V	MCW-S5/200 500V-7h	11707
		690V	MCW-S5/200 690V-5h	11708
		1000V	MCW-S5/200 1000V-1h	11709
250 A	4 (3L+PEN)	230V	MCW-S4/250 230V-9h	22110
		400V	MCW-S4/250 400V-6h	22111
		500V	MCW-S4/250 500V-7h	22112
		690V	MCW-S4/250 690V-5h	22113
		1000V	MCW-S4/250 1000V-1h	22114
	5 (3L+N+PE)	230V	MCW-S5/250 230V-9h	22115
		400V	MCW-S5/250 400V-6h	22116
		500V	MCW-S5/250 500V-7h	22117
		690V	MCW-S5/250 690V-5h	22118
		1000V	MCW-S5/250 1000V-1h	22119

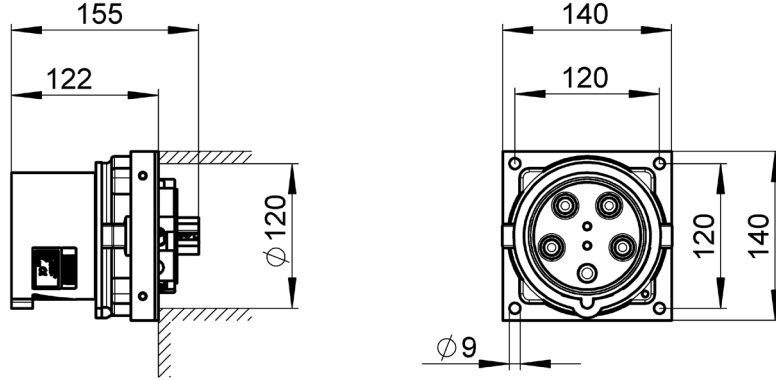


Current	Number of Poles	Voltage	Type designation	Article No.
200 A	4 (3L+PEN)	230V	FCW-S4/200 230V-9h	11670
		400V	FCW-S4/200 400V-6h	11671
		500V	FCW-S4/200 500V-7h	11672
		690V	FCW-S4/200 690V-5h	11673
		1000V	FCW-S4/200 1000V-1h	11674
	5 (3L+N+PE)	230V	FCW-S5/200 230V-9h	11675
		400V	FCW-S5/200 400V-6h	11676
		500V	FCW-S5/200 500V-7h	11677
		690V	FCW-S5/200 690V-5h	11678
		1000V	FCW-S5/200 1000V-1h	11679
250 A	4 (3L+PEN)	230V	FCW-S4/250 230V-9h	22150
		400V	FCW-S4/250 400V-6h	22151
		500V	FCW-S4/250 500V-7h	22152
		690V	FCW-S4/250 690V-5h	22153
		1000V	FCW-S4/250 1000V-1h	22154
	5 (3L+N+PE)	230V	FCW-S5/250 230V-9h	22155
		400V	FCW-S5/250 400V-6h	22156
		500V	FCW-S5/250 500V-7h	22157
		690V	FCW-S5/250 690V-5h	22158
		1000V	FCW-S5/250 1000V-1h	22159

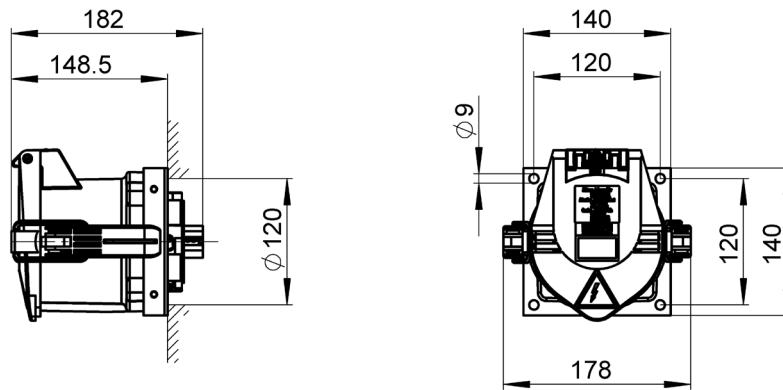


MCP

Panel Mounted Inlet



Current	Number of Poles	Voltage	Type designation	Article No.
200 A	4 (3L+PEN)	230V	MCP-S4/200 230V-9h	11730
		400V	MCP-S4/200 400V-6h	11731
		500V	MCP-S4/200 500V-7h	11732
		690V	MCP-S4/200 690V-5h	11733
		1000V	MCP-S4/200 1000V-1h	11734
	5 (3L+N+PE)	230V	MCP-S5/200 230V-9h	11735
		400V	MCP-S5/200 400V-6h	11736
		500V	MCP-S5/200 500V-7h	11737
		690V	MCP-S5/200 690V-5h	11738
		1000V	MCP-S5/200 1000V-1h	11739
250 A	4 (3L+PEN)	230V	MCP-S4/250 230V-9h	22090
		400V	MCP-S4/250 400V-6h	22091
		500V	MCP-S4/250 500V-7h	22092
		690V	MCP-S4/250 690V-5h	22093
		1000V	MCP-S4/250 1000V-1h	22094
	5 (3L+N+PE)	230V	MCP-S5/250 230V-9h	22095
		400V	MCP-S5/250 400V-6h	22096
		500V	MCP-S5/250 500V-7h	22097
		690V	MCP-S5/250 690V-5h	22098
		1000V	MCP-S5/250 1000V-1h	22099

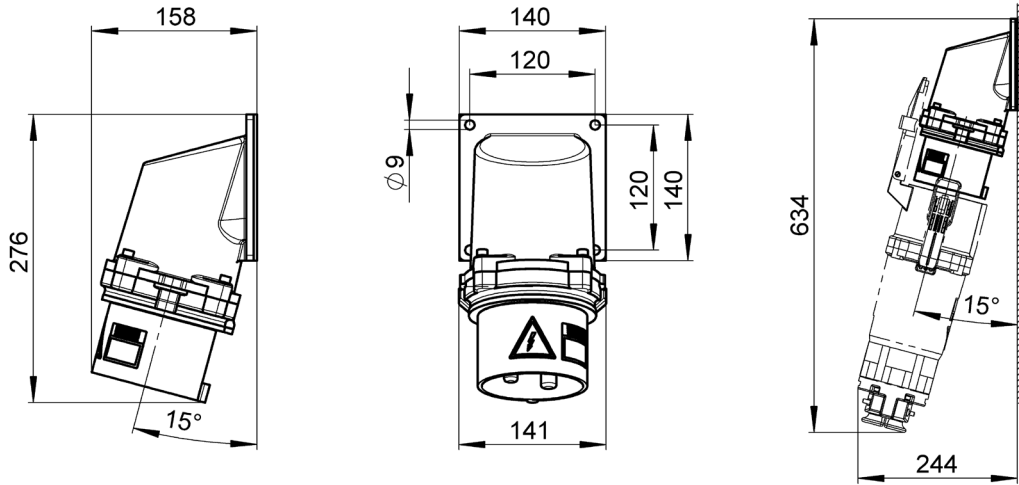


Current	Number of Poles	Voltage	Type designation	Article No.
200 A	4 (3L+PEN)	230V	FCP-S4/200 230V-9h	11760
		400V	FCP-S4/200 400V-6h	11761
		500V	FCP-S4/200 500V-7h	11762
		690V	FCP-S4/200 690V-5h	11763
		1000V	FCP-S4/200 1000V-1h	11764
	5 (3L+N+PE)	230V	FCP-S5/200 230V-9h	11765
		400V	FCP-S5/200 400V-6h	11766
		500V	FCP-S5/200 500V-7h	11767
		690V	FCP-S5/200 690V-5h	11768
		1000V	FCP-S5/200 1000V-1h	11769
250 A	4 (3L+PEN)	230V	FCP-S4/250 230V-9h	22130
		400V	FCP-S4/250 400V-6h	22131
		500V	FCP-S4/250 500V-7h	22132
		690V	FCP-S4/250 690V-5h	22133
		1000V	FCP-S4/250 1000V-1h	22134
	5 (3L+N+PE)	230V	FCP-S5/250 230V-9h	22135
		400V	FCP-S5/250 400V-6h	22136
		500V	FCP-S5/250 500V-7h	22137
		690V	FCP-S5/250 690V-5h	22138
		1000V	FCP-S5/250 1000V-1h	22139

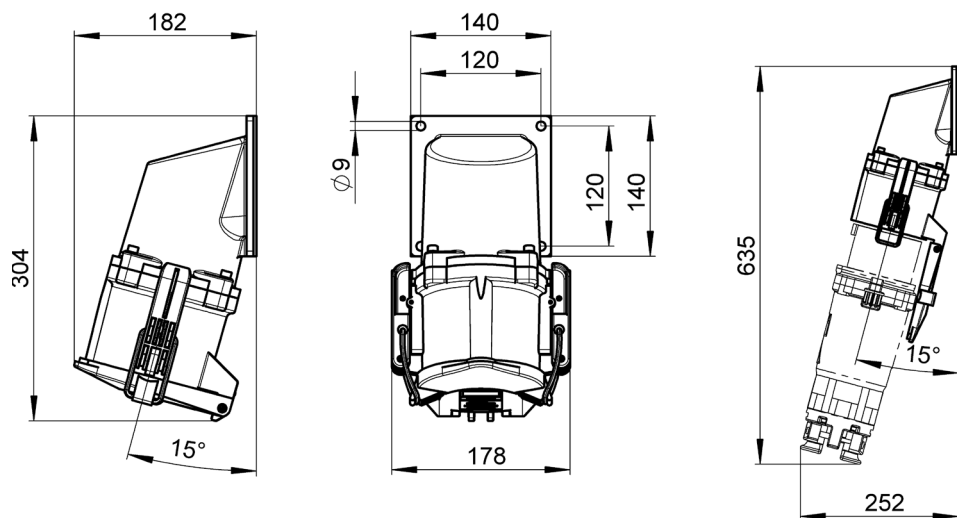


MCPA

Panel Mounted Inlet Angled



Current	Number of Poles	Voltage	Type designation	Article No.
200 A	4 (3L+PEN)	230V	MCPA-S4/200 230V-9h	20578
		400V	MCPA-S4/200 400V-6h	20579
		500V	MCPA-S4/200 500V-7h	20580
		690V	MCPA-S4/200 690V-5h	20581
		1000V	MCPA-S4/200 1000V-1h	20582
	5 (3L+N+PE)	230V	MCPA-S5/200 230V-9h	20583
		400V	MCPA-S5/200 400V-6h	20584
		500V	MCPA-S5/200 500V-7h	20585
		690V	MCPA-S5/200 690V-5h	20586
		1000V	MCPA-S5/200 1000V-1h	20587
250 A	4 (3L+PEN)	230V	MCPA-S4/250 230V-9h	22100
		400V	MCPA-S4/250 400V-6h	22101
		500V	MCPA-S4/250 500V-7h	22102
		690V	MCPA-S4/250 690V-5h	22103
		1000V	MCPA-S4/250 1000V-1h	22104
	5 (3L+N+PE)	230V	MCPA-S5/250 230V-9h	22105
		400V	MCPA-S5/250 400V-6h	22106
		500V	MCPA-S5/250 500V-7h	22107
		690V	MCPA-S5/250 690V-5h	22108
		1000V	MCPA-S5/250 1000V-1h	22109



Current	Number of Poles	Voltage	Type designation	Article No.
200 A	4 (3L+PEN)	230V	FCPA-S4/200 230V-9h	20608
		400V	FCPA-S4/200 400V-6h	20609
		500V	FCPA-S4/200 500V-7h	20610
		690V	FCPA-S4/200 690V-5h	20611
		1000V	FCPA-S4/200 1000V-1h	20612
	5 (3L+N+PE)	230V	FCPA-S5/200 230V-9h	20613
		400V	FCPA-S5/200 400V-6h	20614
		500V	FCPA-S5/200 500V-7h	20615
		690V	FCPA-S5/200 690V-5h	20616
		1000V	FCPA-S5/200 1000V-1h	20617
250 A	4 (3L+PEN)	230V	FCPA-S4/250 230V-9h	22140
		400V	FCPA-S4/250 400V-6h	22141
		500V	FCPA-S4/250 500V-7h	22142
		690V	FCPA-S4/250 690V-5h	22143
		1000V	FCPA-S4/250 1000V-1h	22144
	5 (3L+N+PE)	230V	FCPA-S5/250 230V-9h	22145
		400V	FCPA-S5/250 400V-6h	22146
		500V	FCPA-S5/250 500V-7h	22147
		690V	FCPA-S5/250 690V-5h	22148
		1000V	FCPA-S5/250 1000V-1h	22149



Options

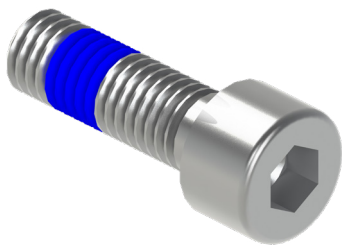
Accessories for every requirement



Seawater resistant connector

For port applications, an option often requested by the customer. The seawater-resistant design prevents oxidation on the housing.

Seawater resistant connectors upon request.



Vibration resistant connectors

On request there are vibration resistant connectors available. This option is frequently asked for railway applications.



Accessories:

- Protective cover aluminium (article number: 12122)
- Protective cover plastic (article number: 26263)
- Screwed cable gland for separate pilot cable (article number 13642)
- Padlock (article number: 14349)

General information

Plastic housing C-Line

The C-Line connectors have a special plastic housing.

This housing has special properties for applications and is resistant to many chemicals (see table).

- High thermal stability
- Very good insulating properties
- High dielectric strength
- Resistance to many different chemicals
- Compliant with RoHS Directive 2011/65 / EU
- High impact strength and resistance

Plastic housing characteristics

Chemicals	Resistant	Not resistant
Acetic acid	X	
Citric acid solution	X	
Lactic acid	X	
Hydrochloric acid		X
Nitric acid		X
Sulfuric acid		X
Chromic Acid Solution		X
Sodium hydroxide solution	X	
Isopropanol	X	
Methanol	X	
Ethanol	X	
Hydrogen peroxide		X

Chemicals	Resistant	Not resistant
N-hexane	X	
Toluene	X	
Iso-octane	X	
Acetone	X	
Diethyl ether	X	
SAE10W40 Multi-range oil	X	
Diesel oil	X	
Sodium hypochlorite solution		X
Zinc chloride solution		X
Ethyl acetate	X	
Ethylene glycol		X
Water	X	

Weight and packaging-information

Article	Weight (kg)	Packaging Bulk outside (mm)	
Plug MC	4-polig	2.7	405 x 190 x 185
	5-polig	2.9	405 x 190 x 185
Panel Mounted Inlet MCP	4-polig	2.2	286 x 204 x 140
	5-polig	2.4	286 x 204 x 140
Panel Mounted Inlet Angled MCPA	4-polig	4.2	462 x 240 x 242
	5-polig	4.4	462 x 240 x 242
Wall Mounted Inlet MCW	4-polig	3.6	360 x 240 x 200
	5-polig	3.8	360 x 240 x 200
Coupling FC	4-polig	3.4	405 x 190 x 185
	5-polig	3.6	405 x 190 x 185
Panel Mounted Receptacle FCP	4-polig	3.2	405 x 190 x 185
	5-polig	3.5	405 x 190 x 185
Panel Mounted Receptacle Angled FCPA	4-polig	4.4	462 x 240 x 242
	5-polig	4.6	462 x 240 x 242
Wall Mounted Receptacle FCW	4-polig	4.3	360 x 240 x 200
	5-polig	4.5	360 x 240 x 200