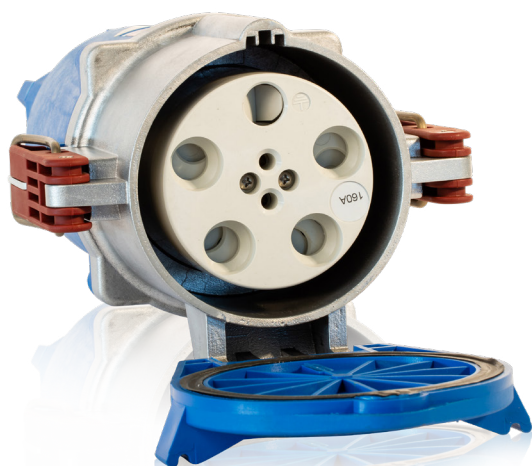


# D - Line

## Technical Data



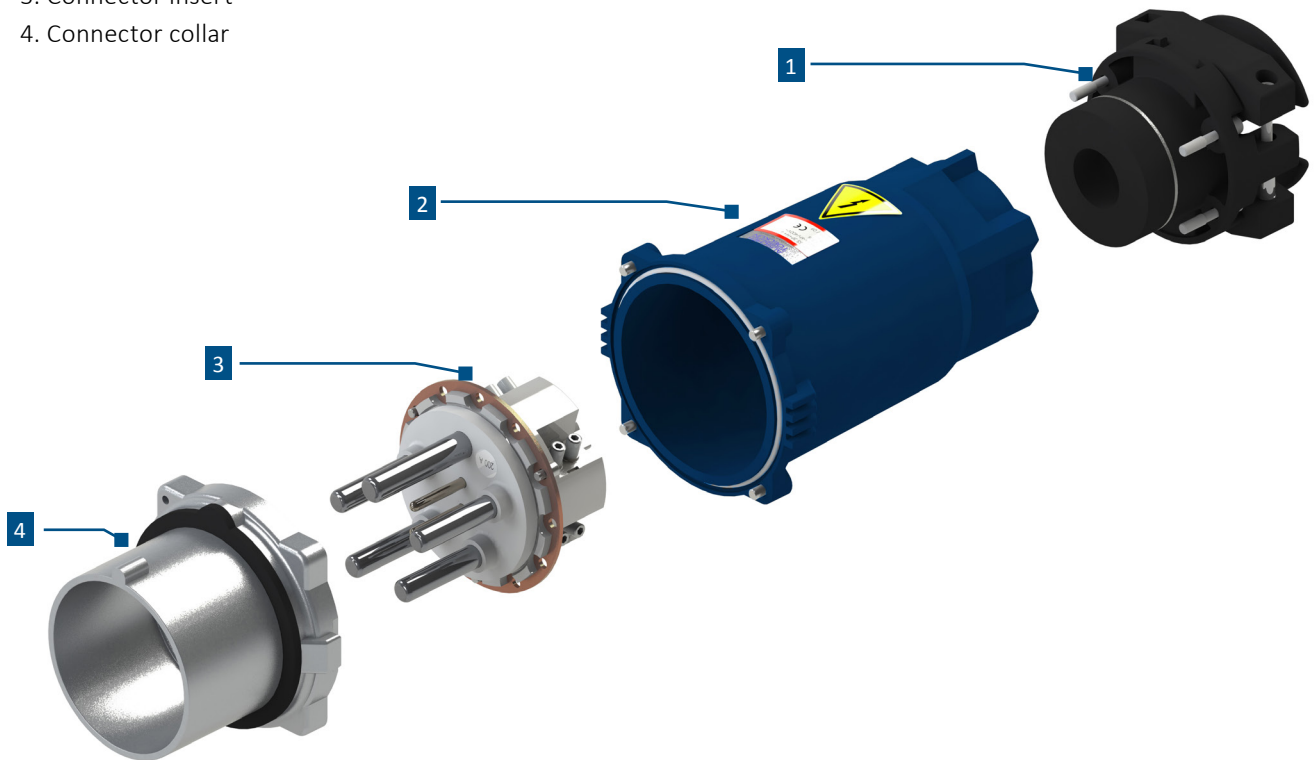
Technical Data	Unit	D - Line
Nominal current	A	160
Rated current	A	180
Rated voltage	V	1.000
Rated frequency	Hz	50 / 60
Withstand voltage (1 min / 50 Hz)	V	4.000
Protection grade		IP 67
Shock resistance		IK 10
Ambient temperature	°C	- 40 / + 100
Insulation resistance (Phase-phase and phase-earth)	MOhm	> 500
Comparative tracking index of the insert	CTI	> 600
Terminal cross-section (EN 60228 Class 5)	mm <sup>2</sup>	35 - 150
max. cross section pilot cable, conductor (EN60228 Class 5)	mm <sup>2</sup>	4
Diameter of cable	mm	34 - 66
Diameter of cable - separate pilot cable	mm	5 - 10

Technical modifications reserved

# Structure

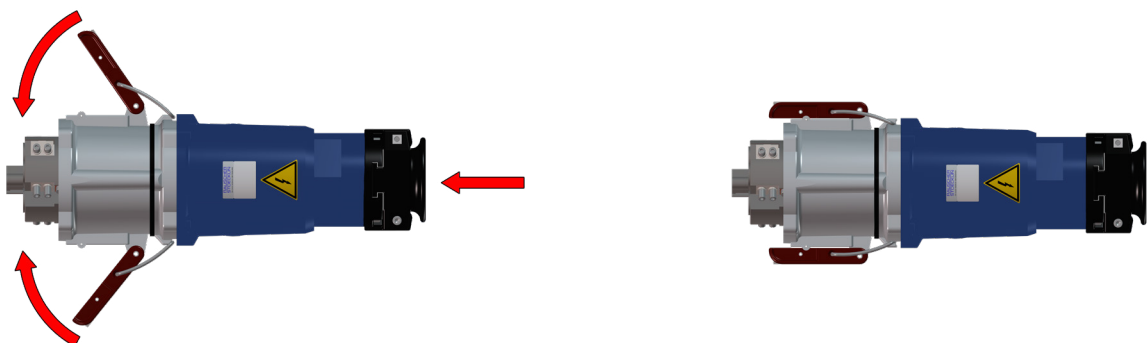
## Structure of D-Line connector

1. Cable gland
2. Plastic housing
3. Connector insert
4. Connector collar



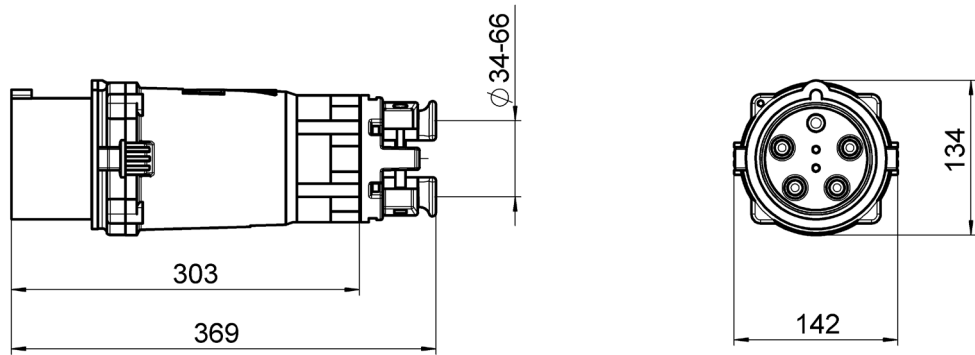
## Locking system

Mechanically easy designed locking system, which reduces the force required during plugging and pulling.

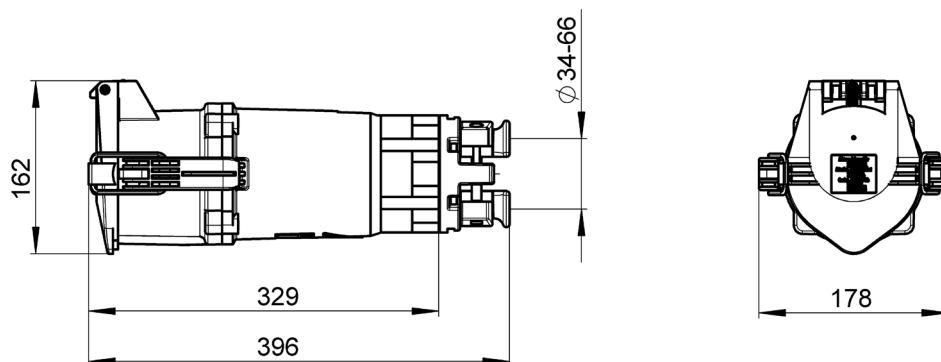


# MC

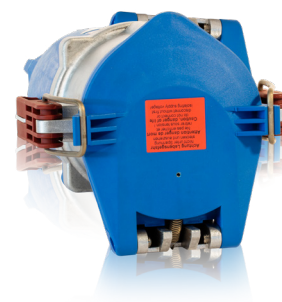
Plug



Current	No. of Poles	Voltage	Type designation	Article No.
160 A	4 (3L+PEN)	230V	MC-S4/160 230V-9h	25120
		400V	MC-S4/160 400V-6h	25121
		500V	MC-S4/160 500V-7h	25122
		690V	MC-S4/160 690V-5h	25123
		1000V	MC-S4/160 1000V-1h	25124
	5 (3L+N+PE)	230V	MC-S5/160 230V-9h	25130
		400V	MC-S5/160 400V-6h	25131
		500V	MC-S5/160 500V-7h	25132
		690V	MC-S5/160 690V-5h	25133
		1000V	MC-S5/160 1000V-1h	25134

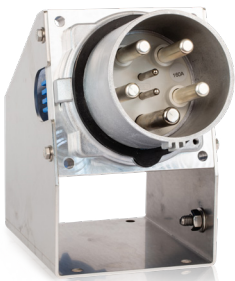
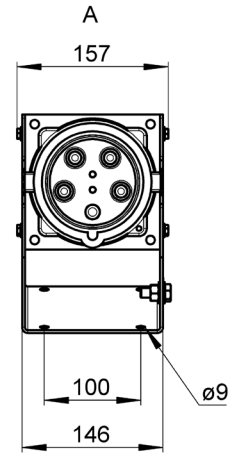
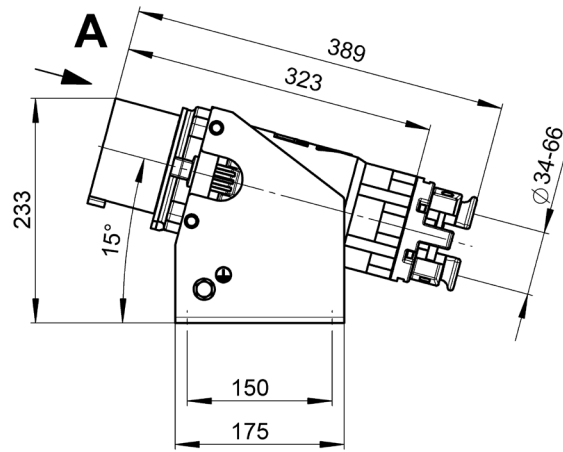
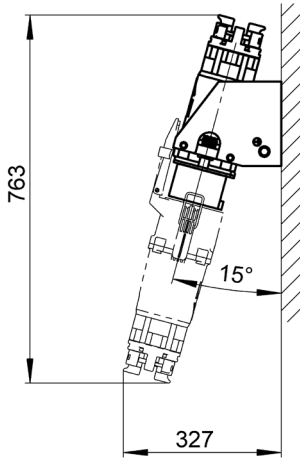


Current	No. of Poles	Voltage	Type designation	Article No.
160 A	4 (3L+PEN)	230V	FC-S4/160 230V-9h	25125
		400V	FC-S4/160 400V-6h	25126
		500V	FC-S4/160 500V-7h	25127
		690V	FC-S4/160 690V-5h	25128
		1000V	FC-S4/160 1000V-1h	25129
	5 (3L+N+PE)	230V	FC-S5/160 230V-9h	25135
		400V	FC-S5/160 400V-6h	25136
		500V	FC-S5/160 500V-7h	25137
		690V	FC-S5/160 690V-5h	25138
		1000V	FC-S5/160 1000V-1h	25139



# MCW

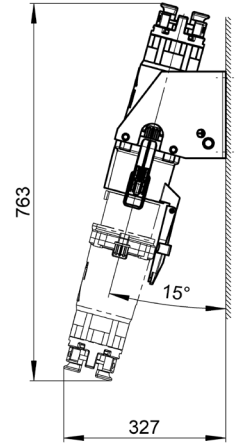
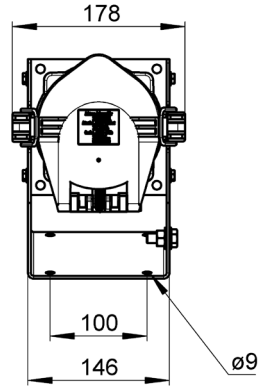
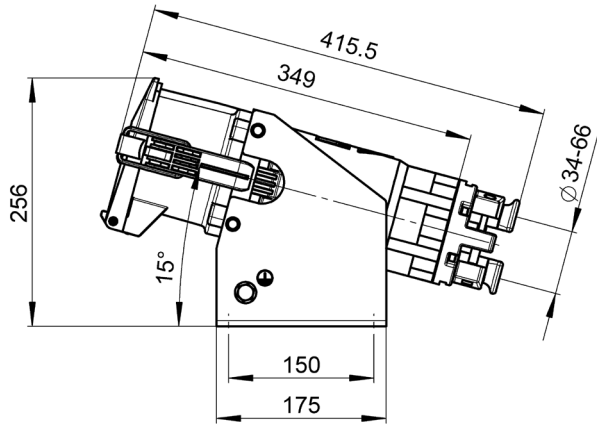
Wall Mounted Inlet



Current	No. of Poles	Voltage	Type designation	Article No.
160 A	4 (3L+PEN)	230V	MCW-S4/160 230V-9h	25140
		400V	MCW-S4/160 400V-6h	25141
		500V	MCW-S4/160 500V-7h	25142
		690V	MCW-S4/160 690V-5h	25143
		1000V	MCW-S4/160 1000V-1h	25144
	5 (3L+N+PE)	230V	MCW-S5/160 230V-9h	25150
		400V	MCW-S5/160 400V-6h	25151
		500V	MCW-S5/160 500V-7h	25152
		690V	MCW-S5/160 690V-5h	25153
		1000V	MCW-S5/160 1000V-1h	25154

# FCW

## Wall Mounted Receptacle

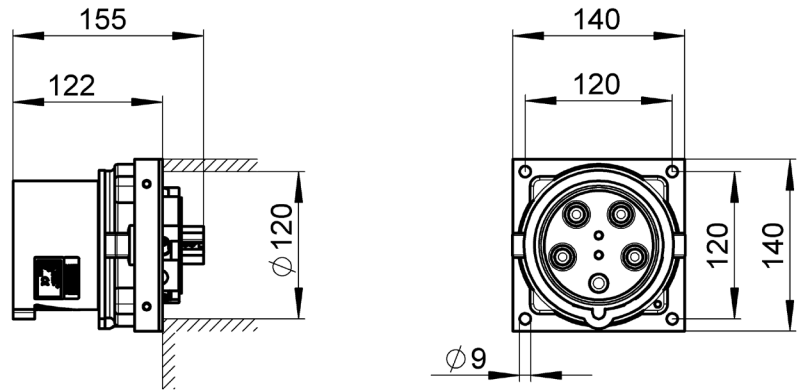


Current	No. of Poles	Voltage	Type designation	Article No.
160 A	4 (3L+PEN)	230V	FCW-S4/160 230V-9h	25145
		400V	FCW-S4/160 400V-6h	25146
		500V	FCW-S4/160 500V-7h	25147
		690V	FCW-S4/160 690V-5h	25148
		1000V	FCW-S4/160 1000V-1h	25149
	5 (3L+N+PE)	230V	FCW-S5/160 230V-9h	25155
		400V	FCW-S5/160 400V-6h	25156
		500V	FCW-S5/160 500V-7h	25157
		690V	FCW-S5/160 690V-5h	25158
		1000V	FCW-S5/160 1000V-1h	25159

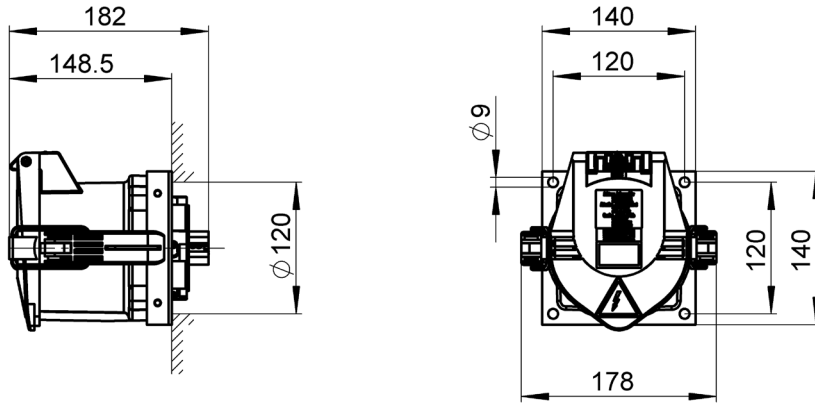


# MCP

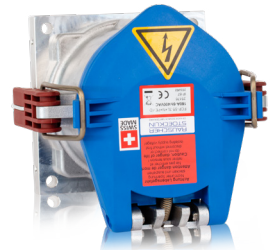
Panel Mounted Inlet



Current	No. of Poles	Voltage	Type designation	Article No.
160 A	4 (3L+PEN)	230V	MCP-S4/160 230V-9h	25160
		400V	MCP-S4/160 400V-6h	25161
		500V	MCP-S4/160 500V-7h	25162
		690V	MCP-S4/160 690V-5h	25163
		1000V	MCP-S4/160 1000V-1h	25164
	5 (3L+N+PE)	230V	MCP-S5/160 230V-9h	25170
		400V	MCP-S5/160 400V-6h	25171
		500V	MCP-S5/160 500V-7h	25172
		690V	MCP-S5/160 690V-5h	25173
		1000V	MCP-S5/160 1000V-1h	25174

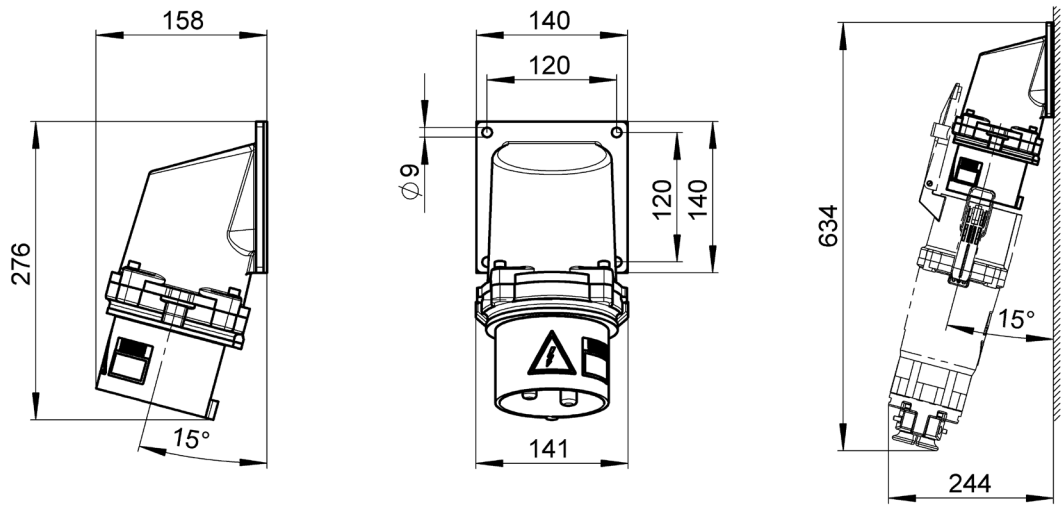


Current	No. of Poles	Voltage	Type designation	Article No.
160 A	4 (3L+PEN)	230V	FCP-S4/160 230V-9h	25165
		400V	FCP-S4/160 400V-6h	25166
		500V	FCP-S4/160 500V-7h	25167
		690V	FCP-S4/160 690V-5h	25168
		1000V	FCP-S4/160 1000V-1h	25169
	5 (3L+N+PE)	230V	FCP-S5/160 230V-9h	25175
		400V	FCP-S5/160 400V-6h	25176
		500V	FCP-S5/160 500V-7h	25177
		690V	FCP-S5/160 690V-5h	25178
		1000V	FCP-S5/160 1000V-1h	25179

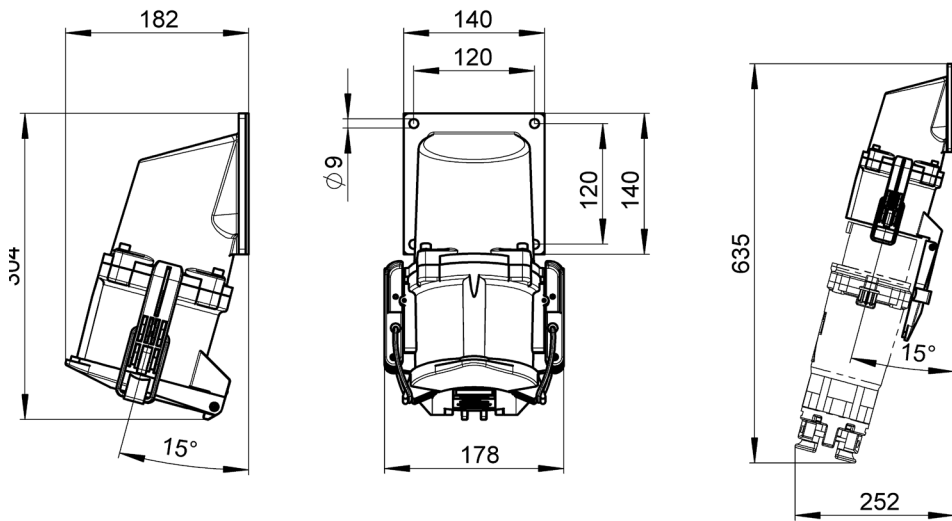


# MCPA

Panel Mounted Inlet Angled



Current	No. of Poles	Voltage	Type designation	Article No.
160 A	4 (3L+PEN)	230V	MCPA-S4/160 230V-9h	25180
		400V	MCPA-S4/160 400V-6h	25181
		500V	MCPA-S4/160 500V-7h	25182
		690V	MCPA-S4/160 690V-5h	25183
		1000V	MCPA-S4/160 1000V-1h	25184
	5 (3L+N+PE)	230V	MCPA-S5/160 230V-9h	25190
		400V	MCPA-S5/160 400V-6h	25191
		500V	MCPA-S5/160 500V-7h	25192
		690V	MCPA-S5/160 690V-5h	25193
		1000V	MCPA-S5/160 1000V-1h	25194



Current	No. of Poles	Voltage	Type designation	Article No.
160 A	4 (3L+PEN)	230V	FCPA-S4/160 230V-9h	25185
		400V	FCPA-S4/160 400V-6h	25186
		500V	FCPA-S4/160 500V-7h	25187
		690V	FCPA-S4/160 690V-5h	25188
		1000V	FCPA-S4/160 1000V-1h	25189
	5 (3L+N+PE)	230V	FCPA-S5/160 230V-9h	25195
		400V	FCPA-S5/160 400V-6h	25196
		500V	FCPA-S5/160 500V-7h	25197
		690V	FCPA-S5/160 690V-5h	25198
		1000V	FCPA-S5/160 1000V-1h	25199



# Options

## Accessories for every requirement



### Seawater resistant connector

For port applications, an option often requested by the customer. The seawater-resistant design prevents oxidation on the housing.

Seawater resistant connectors upon request.



### Vibration resistant connectors

On request there are vibration resistant connectors available. This option is frequently asked for railway applications.



### Accessories:

- Protective cover aluminium (article number: 12122)
- Protective cover plastic (article number: 26263)
- Screwed cable gland for separate pilot cable (article number 13642)
- Padlock (article number: 14349)

# General information

## Plastic housing D-Line

The D-Line connectors have a special plastic housing. This housing has special properties for applications and is resistant to many chemicals (see table).

- High thermal stability
- Very good insulating properties
- High dielectric strength
- Resistance to many different chemicals
- Compliant with RoHS Directive 2011/65 / EU
- High impact strength and resistance

## Plastic housing characteristics

Chemicals	Resistant	Not resistant	Chemicals	Resistant	Not resistant
Acetic acid	X		N-hexane	X	
Citric acid solution	X		Toluene	X	
Lactic acid	X		Iso-octane	X	
Hydrochloric acid		X	Acetone	X	
Nitric acid		X	Diethyl ether	X	
Sulfuric acid		X	SAE10W40 Multi-range oil	X	
Chromic Acid Solution		X	Diesel oil	X	
Sodium hydroxide solution	X		Sodium hypochlorite solution		X
Isopropanol	X		Zinc chloride solution		X
Methanol	X		Ethyl acetate	X	
Ethanol	X		Ethylene glycol		X
Hydrogen peroxide		X	Water	X	

## Weight and packaging-information

Article		Weight (kg)	Packaging Bulk outside (mm)
Plug MC	4-polig	2.7	405 x 190 x 185
	5-polig	2.9	405 x 190 x 185
Panel Mounted Inlet MCP	4-polig	2.2	286 x 204 x 140
	5-polig	2.4	286 x 204 x 140
Panel Mounted Inlet Angled MCPA	4-polig	4.2	462 x 240 x 242
	5-polig	4.4	462 x 240 x 242
Wall Mounted Inlet MCW	4-polig	3.6	360 x 240 x 200
	5-polig	3.8	360 x 240 x 200
Coupling FC	4-polig	3.4	405 x 190 x 185
	5-polig	3.6	405 x 190 x 185
Panel Mounted Receptacle FCP	4-polig	3.2	405 x 190 x 185
	5-polig	3.5	405 x 190 x 185
Panel Mounted Receptacle Angled FCPA	4-polig	4.4	462 x 240 x 242
	5-polig	4.6	462 x 240 x 242
Wall Mounted Receptacle FCW	4-polig	4.3	360 x 240 x 200
	5-polig	4.5	360 x 240 x 200