

B - Line

Technical Data



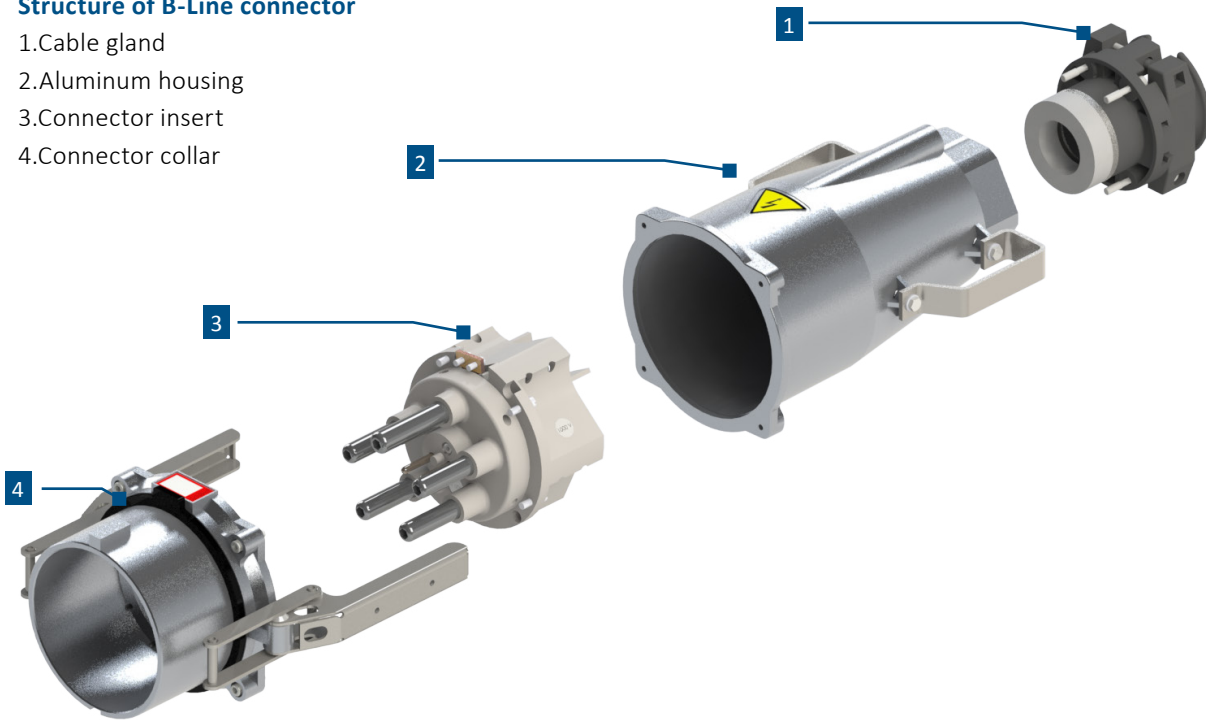
Technical Data	Unit	B - Line		
Nominal current	A	250	315	400
Rated current	A	315	380	450
Rated voltage	V	1'000		
Rated frequency	Hz	50 / 60		
Withstand voltage (1 Min / 50 Hz)	V	4'000		
Protection grade		IP 67		
Shock resistance		IK 10		
Ambient temperature	°C	-40 / +100		
Insulation resistance (Phase-phase and phase-earth)	MOhm	> 500		
Comparative tracking index of the insert	CTI	> 600		
Terminal cross-section (EN 60228 Class 5)	mm ²	70 - 240		
Max. cross section pilot cable, conductor (EN60228 Class 5)	mm ²	4		
Diameter of cable	mm	34 - 66 until 85 on request		
Diameter of cable - separate pilot cable	mm	8 -15		

Technical modifications reserved

Structure

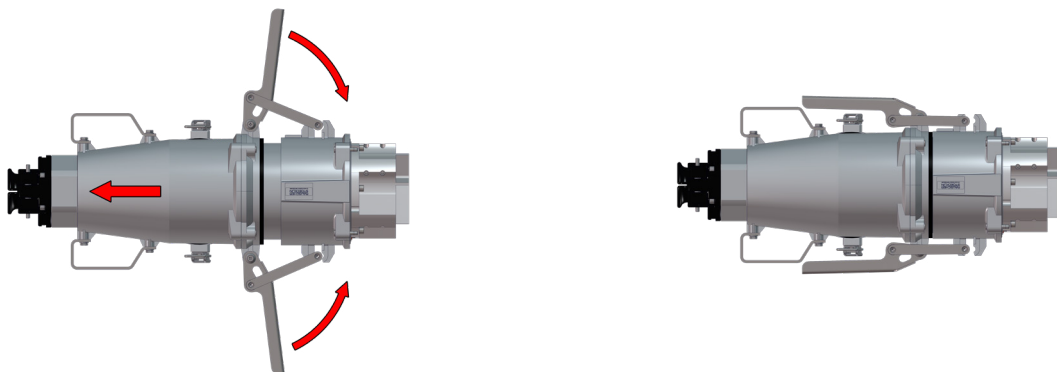
Structure of B-Line connector

- 1.Cable gland
- 2.Aluminum housing
- 3.Connector insert
- 4.Connector collar



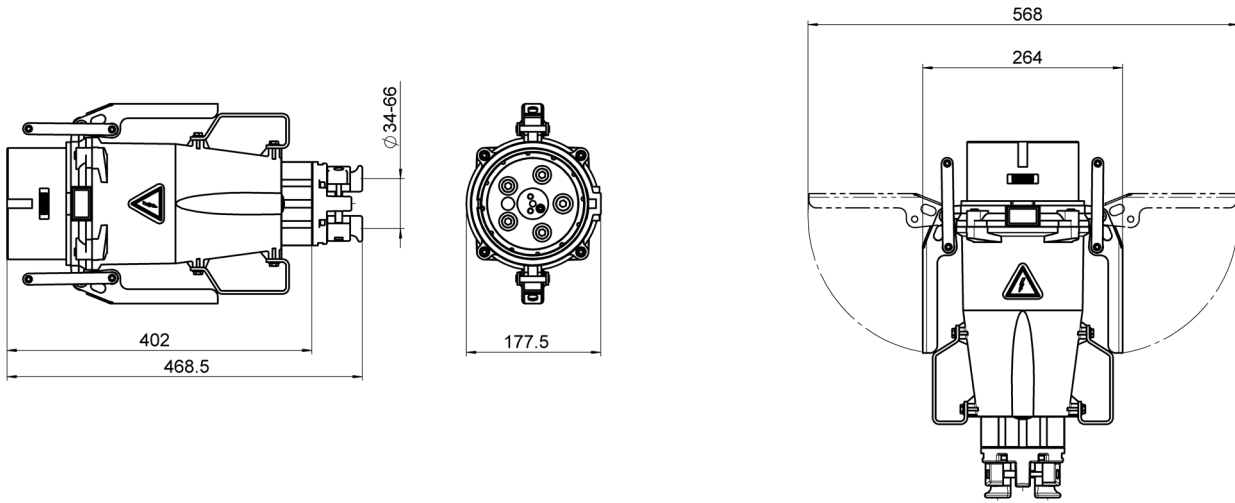
Locking system

Mechanically easy designed locking system, which reduces the force required during plugging and pulling.

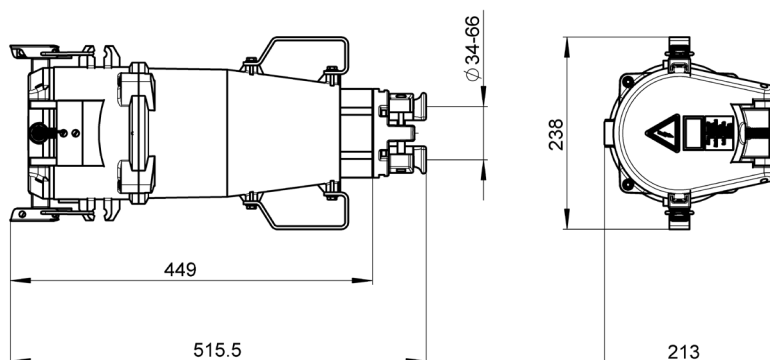


MC

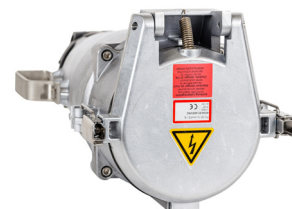
Plug



Current	Number of Poles	Voltage	Type designation	Article No.
250A	4 (3L+PEN)	230V	MC-S4/250 230V-9h	11440
		400V	MC-S4/250 400V-6h	11441
		500V	MC-S4/250 500V-7h	11442
		690V	MC-S4/250 690V-5h	11443
		1000V	MC-S4/250 1000V-1h	11444
	5 (3L+N+PE)	230V	MC-S5/250 230V-9h	11445
		400V	MC-S5/250 400V-6h	11446
		500V	MC-S5/250 500V-7h	11447
		690V	MC-S5/250 690V-5h	11448
		1000V	MC-S5/250 1000V-1h	11449
315 A	4 (3L+PEN)	230V	MC-S4/315 230V-9h	22900
		400V	MC-S4/315 400V-6h	22901
		500V	MC-S4/315 500V-7h	22902
		690V	MC-S4/315 690V-5h	22903
		1000V	MC-S4/315 1000V-1h	22904
	5 (3L+N+PE)	230V	MC-S5/315 230V-9h	22905
		400V	MC-S5/315 400V-6h	22906
		500V	MC-S5/315 500V-7h	22907
		690V	MC-S5/315 690V-5h	22908
		1000V	MC-S5/315 1000V-1h	22909
400 A	4 (3L+PEN)	230V	MC-S4/400 230V-9h	11450
		400V	MC-S4/400 400V-6h	11451
		500V	MC-S4/400 500V-7h	11452
		690V	MC-S4/400 690V-5h	11453
		1000V	MC-S4/400 1000V-1h	11454
	5 (3L+N+PE)	230V	MC-S5/400 230V-9h	11455
		400V	MC-S5/400 400V-6h	11456
		500V	MC-S5/400 500V-7h	11457
		690V	MC-S5/400 690V-5h	11458
		1000V	MC-S5/400 1000V-1h	11459

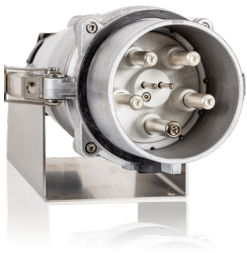
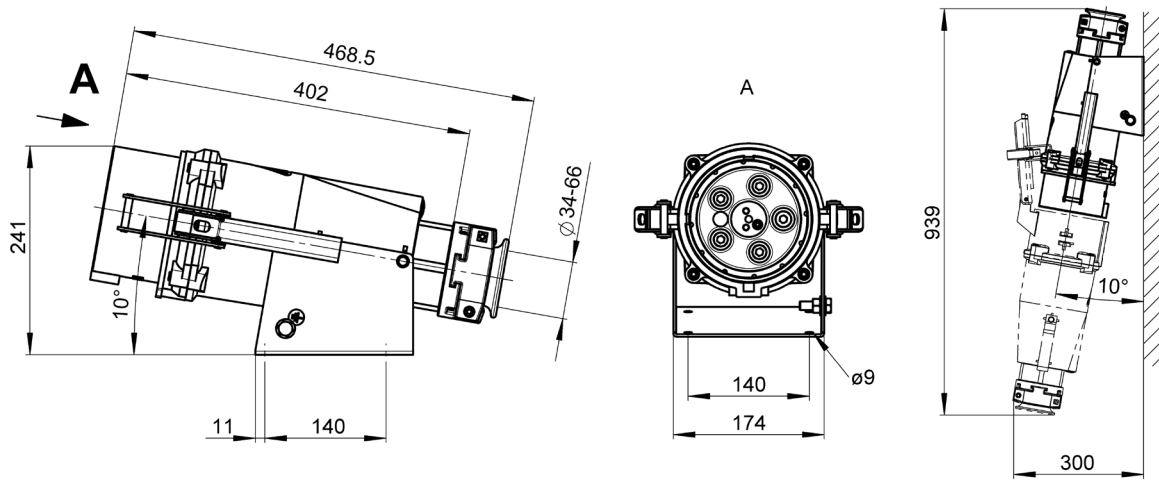


Current	Number of Poles	Voltage	Type designation	Article No.
250A	4 (3L+PEN)	230V	FC-S4/250 230V-9h	11650
		400V	FC-S4/250 400V-6h	11651
		500V	FC-S4/250 500V-7h	11652
		690V	FC-S4/250 690V-5h	11653
		1000V	FC-S4/250 1000V-1h	11654
	5 (3L+N+PE)	230V	FC-S5/250 230V-9h	11655
		400V	FC-S5/250 400V-6h	11656
		500V	FC-S5/250 500V-7h	11657
		690V	FC-S5/250 690V-5h	11658
		1000V	FC-S5/250 1000V-1h	11659
315 A	4 (3L+PEN)	230V	FC-S4/315 230V-9h	22890
		400V	FC-S4/315 400V-6h	22891
		500V	FC-S4/315 500V-7h	22892
		690V	FC-S4/315 690V-5h	22893
		1000V	FC-S4/315 1000V-1h	22894
	5 (3L+N+PE)	230V	FC-S5/315 230V-9h	22895
		400V	FC-S5/315 400V-6h	22896
		500V	FC-S5/315 500V-7h	22897
		690V	FC-S5/315 690V-5h	22898
		1000V	FC-S5/315 1000V-1h	22899
400 A	4 (3L+PEN)	230V	FC-S4/400 230V-9h	11660
		400V	FC-S4/400 400V-6h	11661
		500V	FC-S4/400 500V-7h	11662
		690V	FC-S4/400 690V-5h	11663
		1000V	FC-S4/400 1000V-1h	11664
	5 (3L+N+PE)	230V	FC-S5/400 230V-9h	11665
		400V	FC-S5/400 400V-6h	11666
		500V	FC-S5/400 500V-7h	11667
		690V	FC-S5/400 690V-5h	11668
		1000V	FC-S5/400 1000V-1h	11669

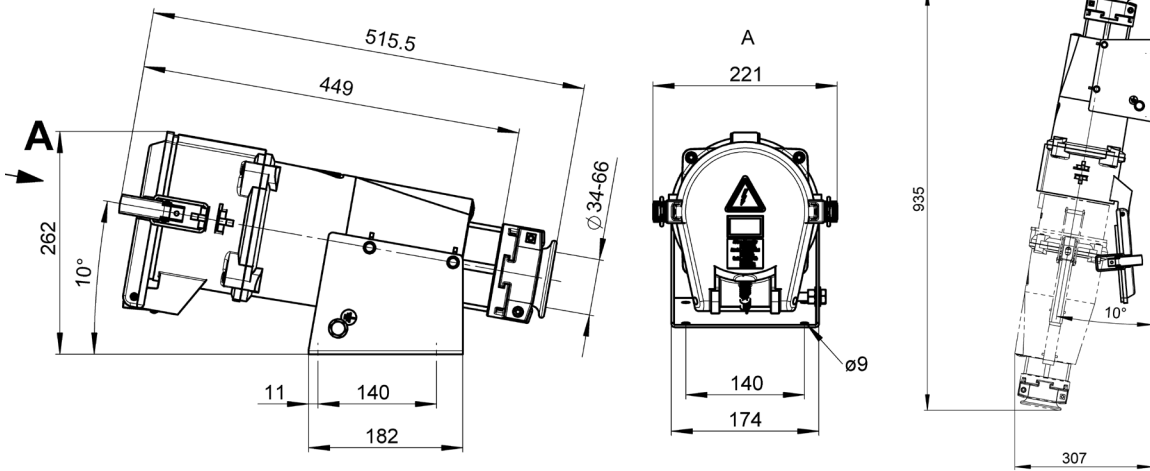


MCW

Wall Mounted Inlet



Current	Number of Poles	Voltage	Type designation	Article No.
250A	4 (3L+PEN)	230V	MCW-S4/250 230V-9h	11710
		400V	MCW-S4/250 400V-6h	11711
		500V	MCW-S4/250 500V-7h	11712
		690V	MCW-S4/250 690V-5h	11713
		1000V	MCW-S4/250 1000V-1h	11714
	5 (3L+N+PE)	230V	MCW-S5/250 230V-9h	11715
		400V	MCW-S5/250 400V-6h	11716
		500V	MCW-S5/250 500V-7h	11717
		690V	MCW-S5/250 690V-5h	11718
		1000V	MCW-S5/250 1000V-1h	11719
315 A	4 (3L+PEN)	230V	MCW-S4/315 230V-9h	22910
		400V	MCW-S4/315 400V-6h	22911
		500V	MCW-S4/315 500V-7h	22912
		690V	MCW-S4/315 690V-5h	22913
		1000V	MCW-S4/315 1000V-1h	22914
	5 (3L+N+PE)	230V	MCW-S5/315 230V-9h	22915
		400V	MCW-S5/315 400V-6h	22916
		500V	MCW-S5/315 500V-7h	22917
		690V	MCW-S5/315 690V-5h	22918
		1000V	MCW-S5/315 1000V-1h	22919
400 A	4 (3L+PEN)	230V	MCW-S4/400 230V-9h	11720
		400V	MCW-S4/400 400V-6h	11721
		500V	MCW-S4/400 500V-7h	11722
		690V	MCW-S4/400 690V-5h	11723
		1000V	MCW-S4/400 1000V-1h	11724
	5 (3L+N+PE)	230V	MCW-S5/400 230V-9h	11725
		400V	MCW-S5/400 400V-6h	11726
		500V	MCW-S5/400 500V-7h	11727
		690V	MCW-S5/400 690V-5h	11728
		1000V	MCW-S5/400 1000V-1h	11729

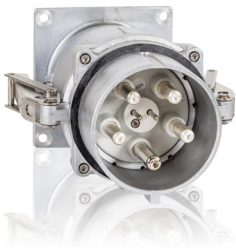
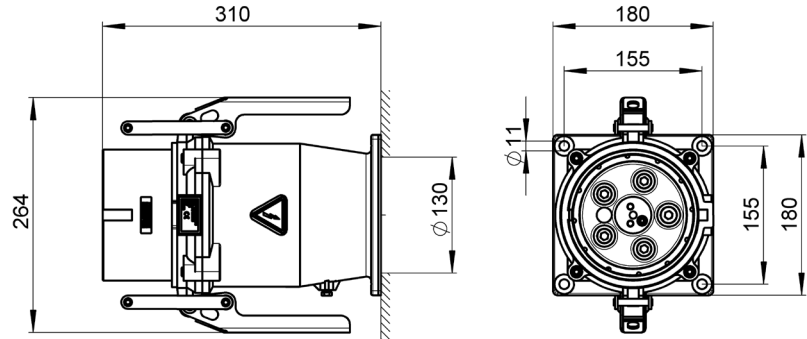


Current	Number of Poles	Voltage	Type designation	Article No.
250A	4 (3L+PEN)	230V	FCW-S4/250 230V-9h	11680
		400V	FCW-S4/250 400V-6h	11681
		500V	FCW-S4/250 500V-7h	11682
		690V	FCW-S4/250 690V-5h	11683
		1000V	FCW-S4/250 1000V-1h	11684
	5 (3L+N+PE)	230V	FCW-S5/250 230V-9h	11685
		400V	FCW-S5/250 400V-6h	11686
		500V	FCW-S5/250 500V-7h	11687
		690V	FCW-S5/250 690V-5h	11688
		1000V	FCW-S5/250 1000V-1h	11689
315 A	4 (3L+PEN)	230V	FCW-S4/315 230V-9h	22860
		400V	FCW-S4/315 400V-6h	22861
		500V	FCW-S4/315 500V-7h	22862
		690V	FCW-S4/315 690V-5h	22863
		1000V	FCW-S4/315 1000V-1h	22864
	5 (3L+N+PE)	230V	FCW-S5/315 230V-9h	22865
		400V	FCW-S5/315 400V-6h	22866
		500V	FCW-S5/315 500V-7h	22867
		690V	FCW-S5/315 690V-5h	22868
		1000V	FCW-S5/315 1000V-1h	22869
400 A	4 (3L+PEN)	230V	FCW-S4/400 230V-9h	11690
		400V	FCW-S4/400 400V-6h	11691
		500V	FCW-S4/400 500V-7h	11692
		690V	FCW-S4/400 690V-5h	11693
		1000V	FCW-S4/400 1000V-1h	11694
	5 (3L+N+PE)	230V	FCW-S5/400 230V-9h	11695
		400V	FCW-S5/400 400V-6h	11696
		500V	FCW-S5/400 500V-7h	11697
		690V	FCW-S5/400 690V-5h	11698
		1000V	FCW-S5/400 1000V-1h	11699

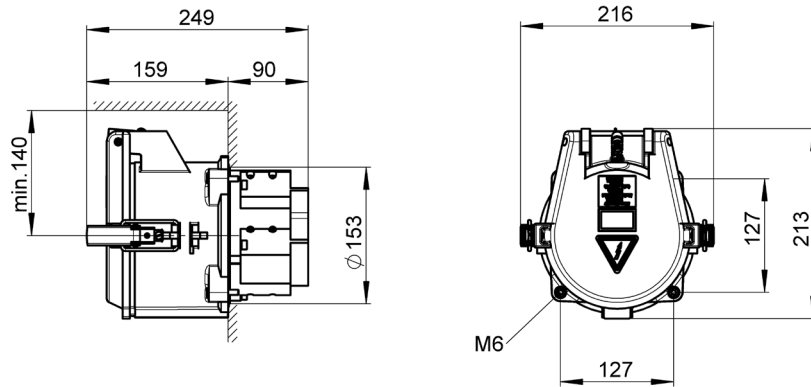


MCP

Panel Mounted Inlet



Current	Number of Poles	Voltage	Type designation	Article No.
250A	4 (3L+PEN)	230V	MCP-S4/250 230V-9h	11740
		400V	MCP-S4/250 400V-6h	11741
		500V	MCP-S4/250 500V-7h	11742
		690V	MCP-S4/250 690V-5h	11743
		1000V	MCP-S4/250 1000V-1h	11744
	5 (3L+N+PE)	230V	MCP-S5/250 230V-9h	11745
		400V	MCP-S5/250 400V-6h	11746
		500V	MCP-S5/250 500V-7h	11747
		690V	MCP-S5/250 690V-5h	11748
		1000V	MCP-S5/250 1000V-1h	11749
315 A	4 (3L+PEN)	230V	MCP-S4/315 230V-9h	22920
		400V	MCP-S4/315 400V-6h	22921
		500V	MCP-S4/315 500V-7h	22922
		690V	MCP-S4/315 690V-5h	22923
		1000V	MCP-S4/315 1000V-1h	22924
	5 (3L+N+PE)	230V	MCP-S5/315 230V-9h	22925
		400V	MCP-S5/315 400V-6h	22926
		500V	MCP-S5/315 500V-7h	22927
		690V	MCP-S5/315 690V-5h	22928
		1000V	MCP-S5/315 1000V-1h	22929
400 A	4 (3L+PEN)	230V	MCP-S4/400 230V-9h	11750
		400V	MCP-S4/400 400V-6h	11751
		500V	MCP-S4/400 500V-7h	11752
		690V	MCP-S4/400 690V-5h	11753
		1000V	MCP-S4/400 1000V-1h	11754
	5 (3L+N+PE)	230V	MCP-S5/400 230V-9h	11755
		400V	MCP-S5/400 400V-6h	11756
		500V	MCP-S5/400 500V-7h	11757
		690V	MCP-S5/400 690V-5h	11758
		1000V	MCP-S5/400 1000V-1h	11759

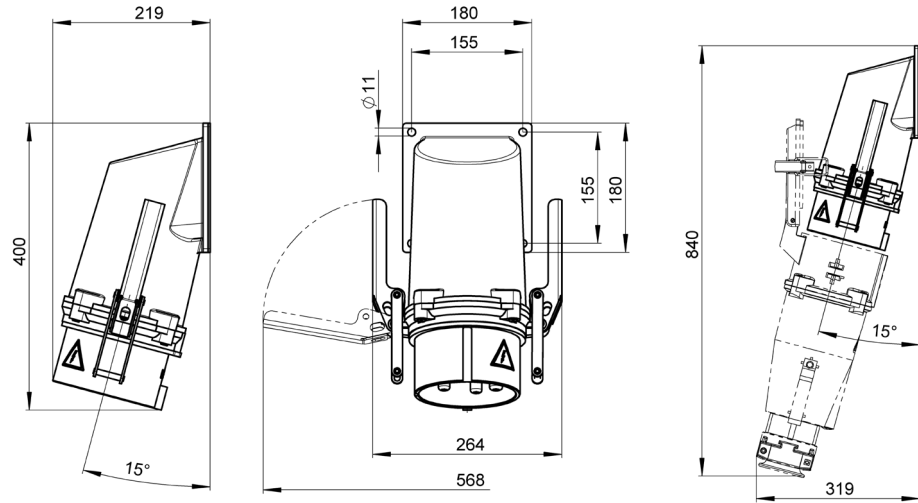


Current	Number of Poles	Voltage	Type designation	Article No.
250A	4 (3L+PEN)	230V	FCP-S4/250 230V-9h	11770
		400V	FCP-S4/250 400V-6h	11771
		500V	FCP-S4/250 500V-7h	11772
		690V	FCP-S4/250 690V-5h	11773
		1000V	FCP-S4/250 1000V-1h	11774
	5 (3L+N+PE)	230V	FCP-S5/250 230V-9h	11775
		400V	FCP-S5/250 400V-6h	11776
		500V	FCP-S5/250 500V-7h	11777
		690V	FCP-S5/250 690V-5h	11778
		1000V	FCP-S5/250 1000V-1h	11779
315 A	4 (3L+PEN)	230V	FCP-S4/315 230V-9h	22870
		400V	FCP-S4/315 400V-6h	22871
		500V	FCP-S4/315 500V-7h	22872
		690V	FCP-S4/315 690V-5h	22873
		1000V	FCP-S4/315 1000V-1h	22874
	5 (3L+N+PE)	230V	FCP-S5/315 230V-9h	22875
		400V	FCP-S5/315 400V-6h	22876
		500V	FCP-S5/315 500V-7h	22877
		690V	FCP-S5/315 690V-5h	22878
		1000V	FCP-S5/315 1000V-1h	22879
400 A	4 (3L+PEN)	230V	FCP-S4/400 230V-9h	11780
		400V	FCP-S4/400 400V-6h	11781
		500V	FCP-S4/400 500V-7h	11782
		690V	FCP-S4/400 690V-5h	11783
		1000V	FCP-S4/400 1000V-1h	11784
	5 (3L+N+PE)	230V	FCP-S5/400 230V-9h	11785
		400V	FCP-S5/400 400V-6h	11786
		500V	FCP-S5/400 500V-7h	11787
		690V	FCP-S5/400 690V-5h	11788
		1000V	FCP-S5/400 1000V-1h	11789

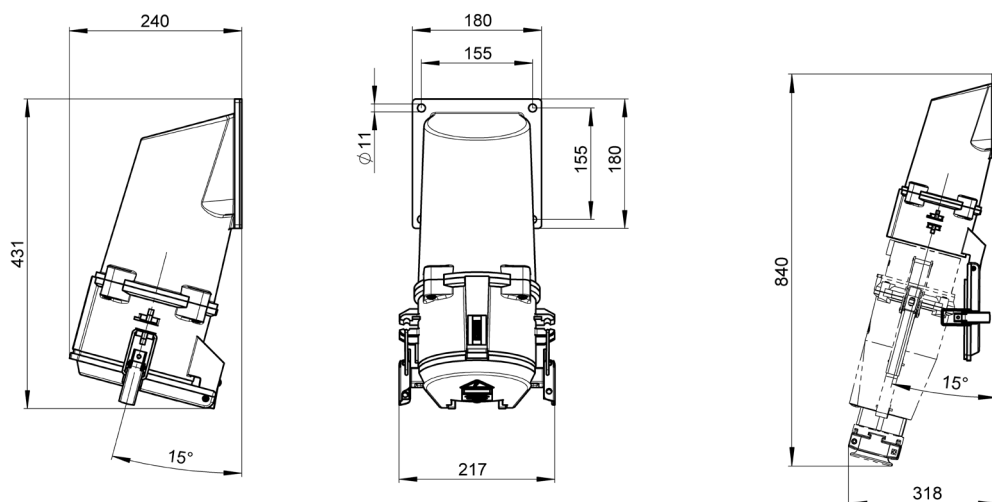


MCPA

Panel Mounted Inlet Angled



Current	Number of Poles	Voltage	Type designation	Article No.
250A	4 (3L+PEN)	230V	MCPA-S4/250 230V-9h	20588
		400V	MCPA-S4/250 400V-6h	20589
		500V	MCPA-S4/250 500V-7h	20590
		690V	MCPA-S4/250 690V-5h	20591
		1000V	MCPA-S4/250 1000V-1h	20592
	5 (3L+N+PE)	230V	MCPA-S5/250 230V-9h	20593
		400V	MCPA-S5/250 400V-6h	20594
		500V	MCPA-S5/250 500V-7h	20595
		690V	MCPA-S5/250 690V-5h	20596
		1000V	MCPA-S5/250 1000V-1h	20597
315 A	4 (3L+PEN)	230V	MCPA-S4/315 230V-9h	22930
		400V	MCPA-S4/315 400V-6h	22931
		500V	MCPA-S4/315 500V-7h	22932
		690V	MCPA-S4/315 690V-5h	22933
		1000V	MCPA-S4/315 1000V-1h	22934
	5 (3L+N+PE)	230V	MCPA-S5/315 230V-9h	22935
		400V	MCPA-S5/315 400V-6h	22936
		500V	MCPA-S5/315 500V-7h	22937
		690V	MCPA-S5/315 690V-5h	22938
		1000V	MCPA-S5/315 1000V-1h	22939
400 A	4 (3L+PEN)	230V	MCPA-S4/400 230V-9h	20598
		400V	MCPA-S4/400 400V-6h	20599
		500V	MCPA-S4/400 500V-7h	20600
		690V	MCPA-S4/400 690V-5h	20601
		1000V	MCPA-S4/400 1000V-1h	20602
	5 (3L+N+PE)	230V	MCPA-S5/400 230V-9h	20603
		400V	MCPA-S5/400 400V-6h	20604
		500V	MCPA-S5/400 500V-7h	20605
		690V	MCPA-S5/400 690V-5h	20606
		1000V	MCPA-S5/400 1000V-1h	20607



Current	Number of Poles	Voltage	Type designation	Article No.
250A	4 (3L+PEN)	230V	FCPA-S4/250 230V-9h	20618
		400V	FCPA-S4/250 400V-6h	20619
		500V	FCPA-S4/250 500V-7h	20620
		690V	FCPA-S4/250 690V-5h	20621
		1000V	FCPA-S4/250 1000V-1h	20622
	5 (3L+N+PE)	230V	FCPA-S5/250 230V-9h	20623
		400V	FCPA-S5/250 400V-6h	20624
		500V	FCPA-S5/250 500V-7h	20625
		690V	FCPA-S5/250 690V-5h	20626
		1000V	FCPA-S5/250 1000V-1h	20627
315 A	4 (3L+PEN)	230V	FCPA-S4/315 230V-9h	22880
		400V	FCPA-S4/315 400V-6h	22881
		500V	FCPA-S4/315 500V-7h	22882
		690V	FCPA-S4/315 690V-5h	22883
		1000V	FCPA-S4/315 1000V-1h	22884
	5 (3L+N+PE)	230V	FCPA-S5/315 230V-9h	22885
		400V	FCPA-S5/315 400V-6h	22886
		500V	FCPA-S5/315 500V-7h	22887
		690V	FCPA-S5/315 690V-5h	22888
		1000V	FCPA-S5/315 1000V-1h	22889
400 A	4 (3L+PEN)	230V	FCPA-S4/400 230V-9h	20628
		400V	FCPA-S4/400 400V-6h	20629
		500V	FCPA-S4/400 500V-7h	20630
		690V	FCPA-S4/400 690V-5h	20631
		1000V	FCPA-S4/400 1000V-1h	20632
	5 (3L+N+PE)	230V	FCPA-S5/400 230V-9h	20633
		400V	FCPA-S5/400 400V-6h	20634
		500V	FCPA-S5/400 500V-7h	20635
		690V	FCPA-S5/400 690V-5h	20636
		1000V	FCPA-S5/400 1000V-1h	20637



Options

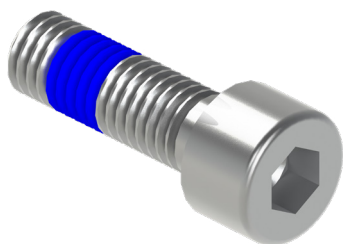
Enhancements for every application



Seawater resistant connector

For port applications, an option often requested by the customer. The seawater-resistant design prevents oxidation on the housing.

Seawater resistant connectors upon request.



Vibration resistant connectors

On request there are vibration resistant connectors available. This option is frequently asked for railway applications.



Accessories:

- Cover cap (article No.: 12123)
- Padlock (article Nor: 14349)

General information

Special features for B-Line connectors

Some product features listed in the catalog apply only to the B-Line connectors.

This includes:

- Exchangeable contacts
- Resistant housing up to 2 tons load

Weight and packaging-information

Article		Weight (kg)	Packaging Bulk outside (mm)
Plug MC	4-pole	7.1	462 x 240 x 242
	5-pole	8.6	462 x 240 x 242
Panel Mounted Inlet MCP	4-pole	8.1	275 x 230 x 350
	5-pole	8.6	275 x 230 x 350
Panel Mounted Inlet Angled MCPA	4-pole	9.8	462 x 240 x 242
	5-pole	10.3	462 x 240 x 242
Wall Mounted Inlet MCW	4-pole	10.0	462 x 240 x 242
	5-pole	10.5	462 x 240 x 242
Coupling FC	4-pole	9.4	462 x 240 x 242
	5-pole	9.9	462 x 240 x 242
Panel Mounted Receptacle FCP	4-pole	6.8	275 x 230 x 350
	5-pole	7.3	275 x 230 x 350
Panel Mounted Receptacle Angled FCPA	4-pole	10.3	462 x 240 x 242
	5-pole	10.8	462 x 240 x 242
Wall Mounted Receptacle FCW	4-pole	11.5	462 x 240 x 242
	5-pole	12.0	462 x 240 x 242